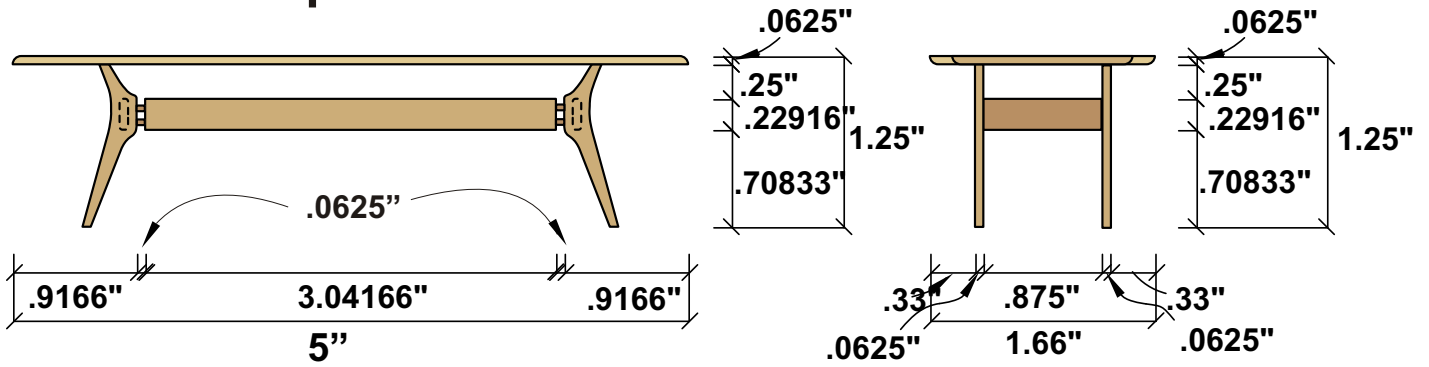
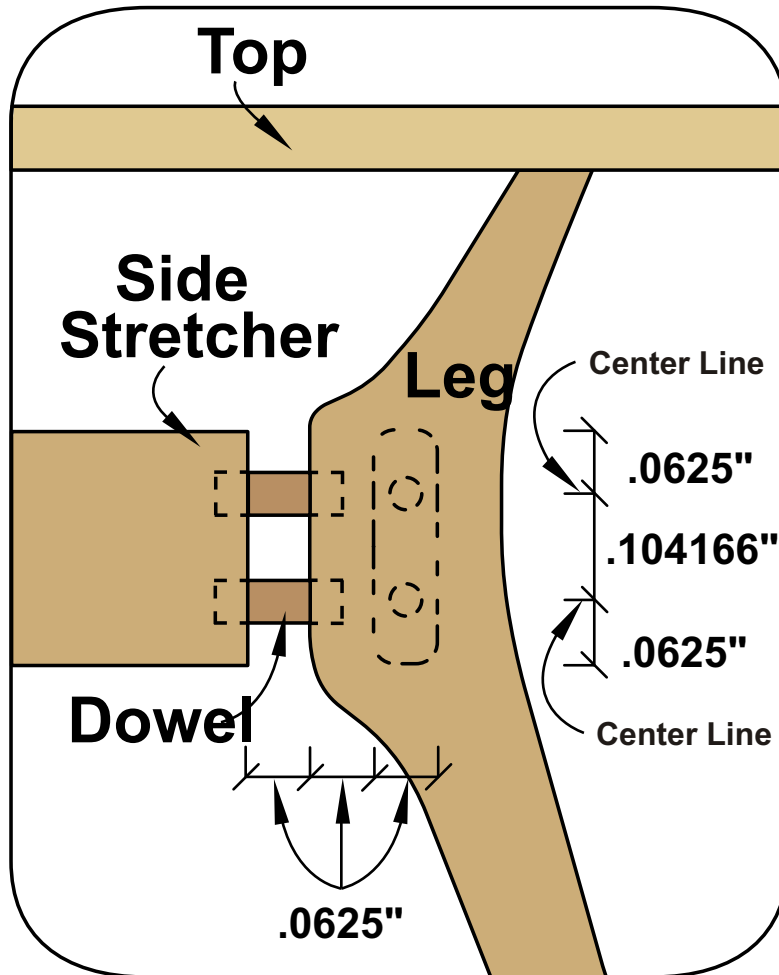


Top View



Side View

End View



Detail of base